

REFLOW (HOT BAR) SOLDERING MACHINE TM-111-MKIII



Left-right Indexing bed
TM-111-MKIII-LR



In-out Indexing bed
TM-111-MKIII-IO



Rotary bed
TM-111-MKIII-R



Stationary bed
TM-111-MKIII-PS

OVERVIEW

TM-111-MKIII Reflow (Hot Bar) Soldering Machine is designed specifically for reflow (hot bar) soldering of flex circuits, TAB and flexible flat connectors onto PCBs. This system uses pulse heat as a source of heating for accurate and consistent temperature control. Real time temperature profile is captured on the integrated LCD touch panel controller which also allows programming, storage and recall of parameter settings. The integrated **Intelli-Pulse** system offers high speed and accurate temperature control with easy usage as system parameters are automatically adjusted. This desktop system offers several options such as Left-Right, In-Out, Rotary and Stationary work tables.

REFLOW (HOT BAR) SOLDERING MACHINE TM-111-MKIII

FEATURES & BENEFITS

- Microprocessor based pulse heat controller for spontaneous heating and cooling
- 4 stage ramp temperature
- **Intelli-Pulse** system offer fast and accurate temperature control as system parameters are automatically adjusted
- Real time temperature profile on LCD control panel
- Electronic pressure control for precision bonding force output
- Compact system with integrated power supply
- Co-planarity adjustment mechanism
- Built-in vacuum
- Dual thermocouple ensures over temperature protection
- Manual mode for machine set-up
- LCD touch panel controller for programming and parameter data storage and recall
- Allow up to 20 programmable profiles to be stored electronically
- User pre-set password
- CE Certified

APPLICATIONS

- Hot Bar Soldering of Flex Circuits to PCB
- Hot Bar Soldering of Flexible Connectors to PCB
- Hot Bar Soldering of TAB to PCB

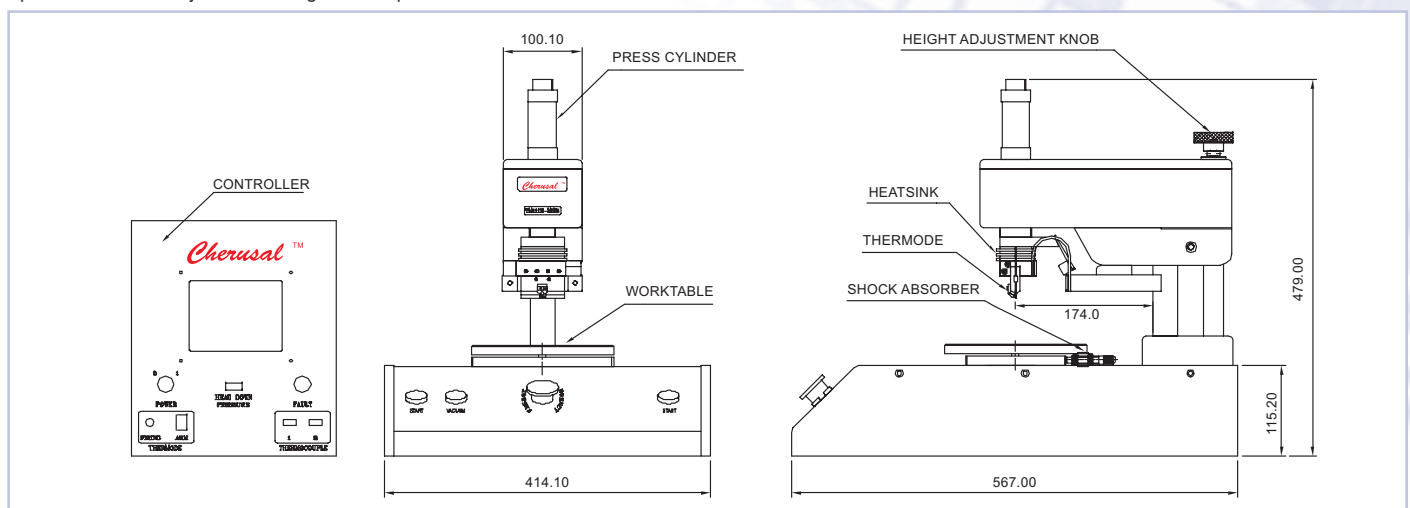
SPECIFICATIONS

Heating Method	Pulse Heat
Power requirement	220VAC±10%, 50/60Hz, 2kVA
Operating Ambient	23°C +/-5°C, 40 to 100% humidity with no significant dust
Supply Pressure	Filtered Clean and Dry Air, 5 – 7kgf/cm ²
Programmable Profiles	20
System Type	Table Top
Options	
TM-111-MKIII-IO	In-out
TM-111-MKIII-LR	Left-right
TM-111-MKIII-R	Rotary
TM-111-MKIII-PS	Stationary
Work Table Size	
TM-111-MKIII-PS & TM-111-MKIII-IO	180mm x 180mm
TM-111-MKIII-LR & TM-111-MKIII-R	120mm x 120mm

Dimension	700mm (L) x 600mm (W) x 480mm (H)
Weight	72kg
Pulse Heating Specifications	
Temperature Ramp Profile	4 stages
Preset Start Temp	30°C - 300°C
Preset Ramp Temp	30°C to 450°C
Preset Release Temp	30°C - 450°C
Preset Hold Period	1 to 100 seconds
Ramp Period	1 to 25 seconds
Thermode Specifications	
Bonding Force	1kgf – 40kgf
Max. Thermode Size	55mm x 3mm
Thermocouple Type	K Type

CE Certified

Specifications are subjected to change without prior notice



HEADQUARTER (SINGAPORE)



TRIMECH TECHNOLOGY PTE LTD

A member of TRIMECH group of companies
No. 70 Ubi Crescent #01-02/03

Ubi Techpark

Singapore 408570

Tel : 65 6741 0346

Fax: 65 6741 7850

Email:sales@cherusal.com

Website: www.cherusal.com



Certificate No: 691176

REGIONAL OFFICES

• Beijing

Tel: (86) 10 6566 2172

Fax: (86) 10 6566 2171

Email: james-zj_yao@cherusal.com

• Hong Kong

Tel: (852) 2111 0982

Fax: (852) 2111 0983

Email: bs_tan@cherusal.com

• Shenzhen

Tel: (86) 755 8231 8767

Fax: (86) 755 8231 8763

Email: bs_tan@cherusal.com

• Shanghai

Tel: (86) 21 5055 1008 ext 16

Fax: (86) 21 5834 6323

Email: james-zj_yao@cherusal.com

• Taiwan

Tel: (886) 3 262 1188

Fax: (886) 3 262 0208

Email: kenny-tan@cherusal.com

• Thailand

Tel: (66) 2 690 2466

Fax: (66) 2 690 2467

Email: nipon_k@cherusal.com